

# Technical Data Sheet

## Plain II Retro



### Product description

Housing made from aluminum to maximize heat dissipation and service life. Durable powder coating (default color DB 703). Mounting options: central or diagonal top mounting (compatible with 60 and 76 mm diameter poles) or hanging from a wire. Fasteners made from stainless steel. Replaceable LED module and advanced optics allow for flexible lighting configurations. Integrated power supply unit with long service life.

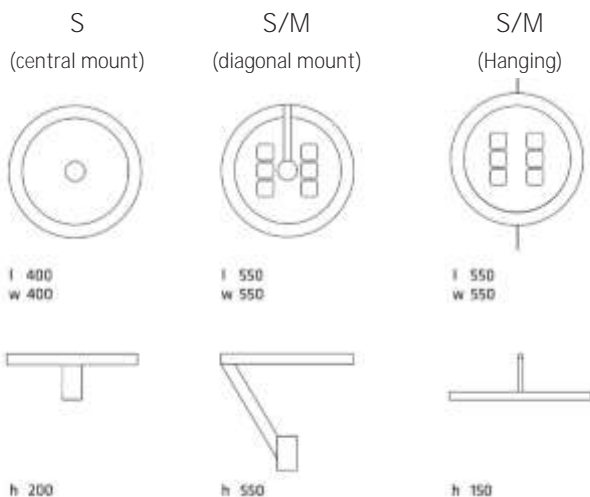
### Technical description

Mains voltage	230 V AC, 50 Hz
Connection	5-pole connector
Electrical efficiency	Over 80 %
Protection class	SK II, SK I
Surge protection	3-6 kV
Protection rating	IP 67
Impact protection	IK 09
LED module cover	PMMA
Color rendering index	Over 70
Color temperature	3000 / 4000 / 5000 K
Lifetime (L80, B10)	Up to 100.000 h

Size	LEDs	mA	lm	W	kg
S (central)	9	370	1.750	18	3,4
S	12	420	2.250	18	8,5
S	12	700	4.865	30	8,5
M	24	620	6.253	50	9,2
M	24	870	8.755	70	9,2

\* Please note, that a dot (.) is used as the thousands separator and a comma (,) as the decimal separator throughout.

### Dimensions



### Optics

S (central mount)



S/M



## Product code

The technical specifications of the luminaire are determined through the combination of 10 categories which result in a unique 16-digit product code.

Category	Value	Code	
Model	Plain II Retro	PR2	
Size	S	1	
	M	2	
Power and lumens (size and mount dependent)	S	18 W (1.750 lm), Central mount	018
		18 W (2.251 lm)	018
		30 W (3.752 lm)	030
	M	50 W (6.253 lm)	050
		70 W (8.755 lm)	070
Dimming	Standard	0	
	1-10 V	1	
	0-10 V	2	
	50 %	3	
	AstroDim	4	
	Dali	5	
Optics	SA (Only S size)	SA	
	SB (Only S size)	SB	
	AA	AA	
	AB	AB	
	AC	AC	
	AD	AD	
	AX	AX	
Color temperature	3000 K	30	
	4000 K	40	
	5000 K	50	
Installation	Top	T	
	Hanging	H	
Fi	0 mm (hanging)	0	
	60 mm	1	
	76 mm	2	
Housing color	DB 703	1	
	DB 701	9	
	RAL 7016	4	
	RAL 9005	7	
	RAL 9006	3	
Options	None (hanging)	0	
	Mount: single	1	

## Recommended configurations

### Plain II Retro S

Luminaire with a power consumption of 18 W that produces a luminous flux of 1.751 lm. Standard dimming, SA optics, color temperature of 4000 K and DB 703 housing color, to be mounted on a 60 mm diameter pole with central mounting (single bracket).

Code: PR210180SA40T111

---

### Plain II Retro M

Luminaire with a power consumption of 50 W that produces a luminous flux of 6.253 lm. Standard dimming, AA optics, color temperature of 4000 K and DB 703 housing color, to be mounted on a 60 mm diameter pole with diagonal mounting (single bracket).

Code: PR220500AA40T111

---